

August 29, 2018
Fujitsu General Limited
(No. 18-N02-09)

[PRESS RELEASE]
(Air conditioning system for overseas)

World's First*¹ Ceiling embedded type indoor unit that delivers even airflow distribution throughout the room with multiple moving air outlets

(AUQS050/056/063/071GLAH)

Fujitsu General will release the world's first*¹ multi air conditioner indoor unit mounted with moving air outlets on both sides of the ceiling embedded type indoor unit at the end of August for China.

Approximately 75% of the multi air conditioner market in China is for home use centered on apartment buildings. Duct type indoor units account for approximately 90% of that. An issue identified with the duct type air outlets was that it was difficult for airflow released from the air outlets to diffuse throughout the room as the unit could only be mounted in a forward direction.

We have now tackled this challenge by developing an indoor unit that can deliver airflow throughout the room, creating a comfortable living space. We have achieved this by mounting air outlets to both the left and right sides of the indoor unit in addition to the forward facing main outlet to enable flexibility around airflow direction.

We have also drastically reduced ventilation loss by a new blower design. For example, we have completely changed the layout of the blower fan by dividing the heat exchanger into two and adding multiple blower fans. This has allowed us to achieve industry leading low power consumption*².

In addition to functional benefits, we have also ensured the overall design was visually enhanced through a superior finish.

These new ceiling embedded type indoor units mounted with moving air outlets are now available in the multi air conditioner range. Fujitsu General is proud to continue to lead the way in bringing new technology to market to meet the evolving demands in domestic air conditioning.



Ceiling embedded type indoor unit mounted with moving air outlets

(Photograph: AUQS050/056/063/071GLAH)

Main Features

- 1. Mounted with world's first*¹ moving air outlets to deliver airflow throughout the room and provide a comfortable living space**
- 2. Industry leading low power consumption*² technology with a new blower design and reduced ventilation loss**

3. Visually enhanced design through a superior finish

*1: As of August 29, 2018. According to our research. For ceiling embedded cassette type indoor units. Patent pending.

*2: As of August 29, 2018. According to our research. For ceiling embedded cassette type indoor units from the 5 kW to 7 kW class for China.

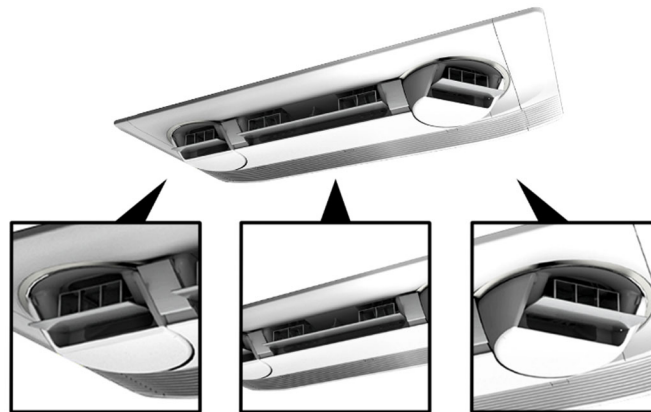
Contact details

Public & Investor Relations Division <https://www.fujitsu-general.com/global/contact/press.html>

1. Mounted with World's First*¹ Moving Air Outlets to deliver airflow throughout the room and provide a comfortable living Space

The moving air outlets on both the left and right sides of the indoor unit move to deliver even distribution of air flow to reach more areas of the room. This achieves a more comfortable living space. In addition, the blowing angles of the moving air outlets can be set individually. Therefore, allowing flexibility around setting the airflow direction according to the installation location and overall room set-up.

*1: As of August 29, 2018. According to our research. For ceiling embedded cassette type indoor units. Patent pending.



moving air outlet (1)

centre air outlet

moving air outlet (2)

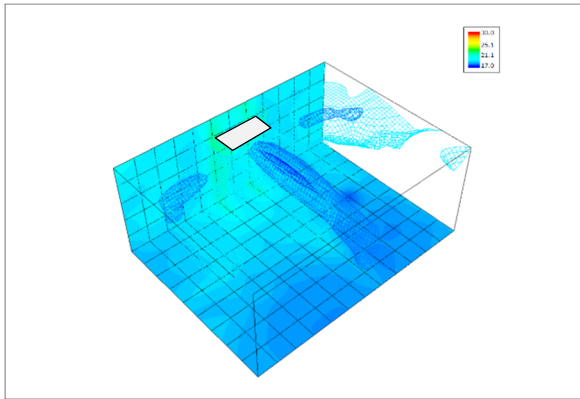
Temperature distribution during cooling and heating (when set to comfortable airflow)

Cooling: Cool airflow spreads out throughout the room so that there is a comfortable coolness anywhere in the room

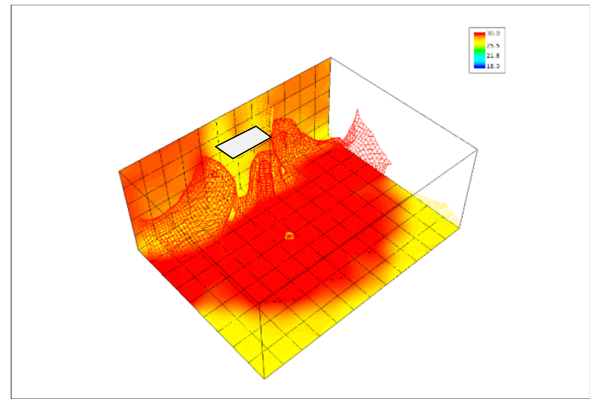
Heating: The spread of warm airflow near the floor*³ is approximately 80% of the room – this is approximately three times that of conventional duct type air conditioners*⁴ (Refer to the figure below)

*3: When heating operation is stable with an outside air temperature of 7°C, a set temperature of 30°C and an air volume set to "Hi" in a 24-tatami mat environmental our test room for the AUQS071GLAH, the temperature distribution 10 cm above the floor was measured and the areas at 28°C or more were compared.

*4: Fujitsu General ARQK071GLAH duct type air conditioner



*When cooling operation is stable with an outside air temperature of 35°C, a set temperature of 18°C and an air volume set to "Hi" in a 24-tatami mat environmental our test room for the AUQS071GLAH



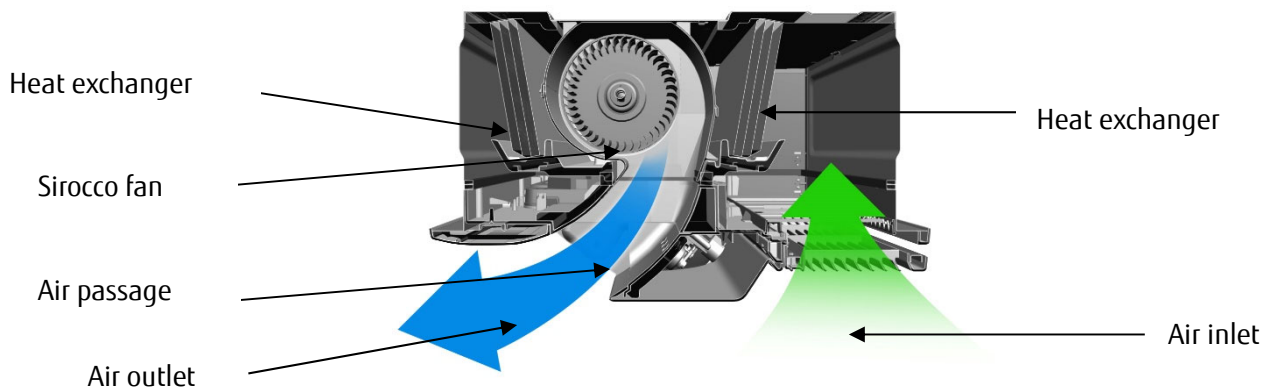
*When heating operation is stable with an outside air temperature of 7°C, a set temperature of 30°C and an air volume set to "Hi" in a 24-tatami mat environmental our test room for the AUQS071GLAH

2. Industry leading low power consumption*2 technology with a new blower design and reduced ventilation loss

Ventilation loss has also been reduced drastically by a new blower design. The layout of the blower has been changed by dividing the heat exchanger into two and adding multiple blower fans. We have also enlarged the air inlets and optimized the air passage.

Furthermore, a DC motor has been adopted even for the pumps that drain water generated during cooling in addition to the fan motors to all switch to "All-DC." This has allowed us to achieve industry leading lower power consumption*2.

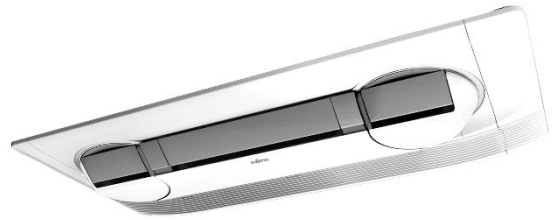
*2: As of August 29, 2018. According to our research. For ceiling embedded cassette type indoor units from the 5 kW to 7 kW class for China.



Model name	AUQS050GLAH	AUQS056GLAH	AUQS063GLAH	AUQS071GLAH
Capacity (kW)	5.0	5.6	6.3	7.1
Power consumption under cooling rated conditions (w)	18	20	26	34

3. Visually enhanced design through a superior finish

The additional outlets have been uniquely designed and positioned to be aesthetically pleasing irrespective of whether the unit is in operation or not. . In addition, we have also ensured the overall design was visually enhanced through a superior finish not available on our other ceiling embedded type indoor units within the range.



Ceiling embedded type indoor unit mounted with moving air outlets (AUQS050/56/63/71GLAH)

Main Specifications and Release Date

■ Ceiling embedded type indoor unit mounted with moving air outlets

Model name	AUQS050GLAH	AUQS056GLAH	AUQS063GLAH	AUQS071GLAH
Power supply voltage	Single phase, 50Hz, 220V			
Capacity (Cooling / Heating) (kw)	5.00/5.60	5.60/6.30	6.30/7.10	7.10/8.00
Power consumption (Cooling / Heating) (W)	18/28	20/28	26/34	34/43
Air volume (Cooling Hi/Lo; Heating Hi/Lo) (m ³ /h)	720/540; 870/540	750/540; 870/540	840/540; 950/540	950/540; 1040/540
Noise (Sound pressure level) (Cooling Hi/Lo; Heating Hi/Lo) (dB)	37/29; 41/29	38/29; 41/29	40/29; 43/29	43/29; 46/29
Dimensions (Height × Width × Depth) (mm) (Indoor unit / Panel)	200×1,240×500 / 85×1,350×580			
Weight (kg) (Indoor unit / Panel)	25.0 / 11.5			
Release date	End of August 2018			