

ARXH054GTAH / ARXH072GTAH / ARXH096GTAH Production by order

The heat pump method efficiently processes the outdoor air for cooling and heating and supplies 100% fresh air into a room.

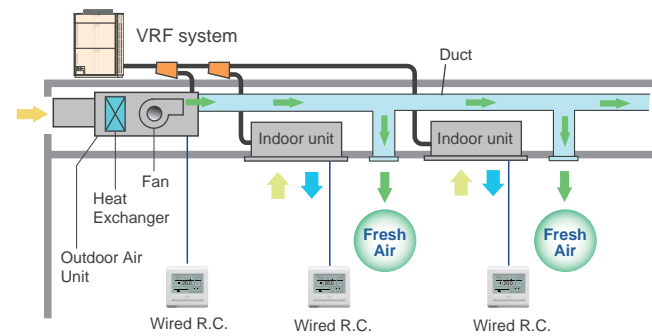
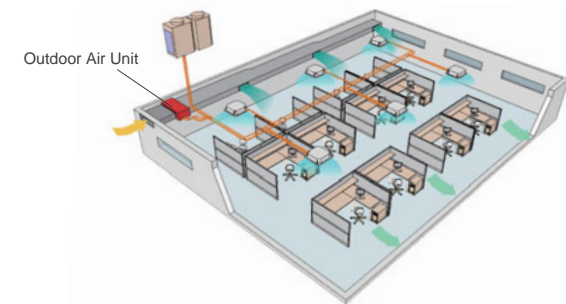


Features

One VRF system can provide air conditioning and air supply at the same time.

Outdoor Air Unit can be connected in a same VRF<sup>1</sup> system as one of indoor unit series and can create fresh and comfortable air supply together from our high advanced technology.

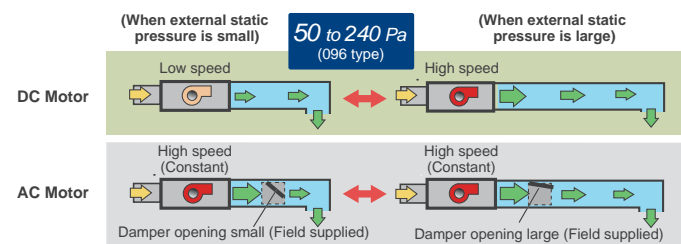
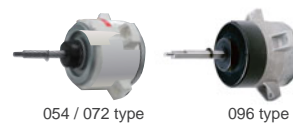
\*1. Connectable VRF series: J-IIS, J-II, V-II, VR-II  
In J-II series alone, OAU is prohibit to connect under the ambient temperature of 40°C or higher.



\* Make sure the connected capacity is within the range of 50% to 100% of the outdoor unit capacity. In addition, if there are mixed connections with indoor units, make the Outdoor Air Unit connection capacity 30% or less of the outdoor unit capacity.

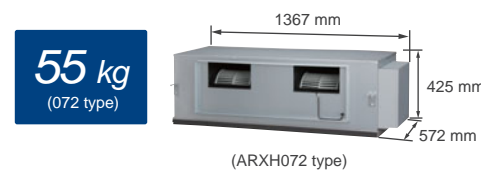
High energy savings and flexible duct design by using DC motor

- Greatly reduces electricity consumption by adopting permanent magnet compared to when using an AC motor.
- Compared with AC motor, changing the speed makes it possible to respond flexibly to the external static pressure from 50 Pa to 240 Pa. Even if damper equipment is not used, static pressure can be adjusted and duct design is easy.
- Static pressure can be set easily using wired remote controller.



Top class compact design

- Top class lightweight compact design at just 425 mm in height, 55 kg in weight for ARXH072 type. This unit can be installed easily even at narrow space.



Features

Various Controller

Supplied variety of controllers as options, such as individual controller, central controller, and building management controller.

Individual Controller



Central Controller



\* The temperature setting is discharged air temperature setting. The air volume is set to a constant speed.

Specifications

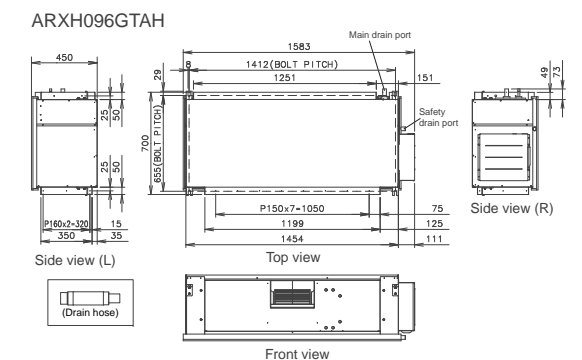
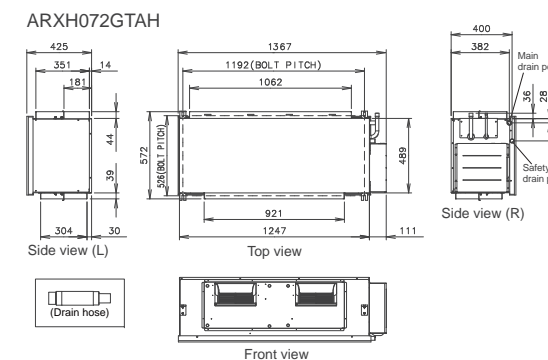
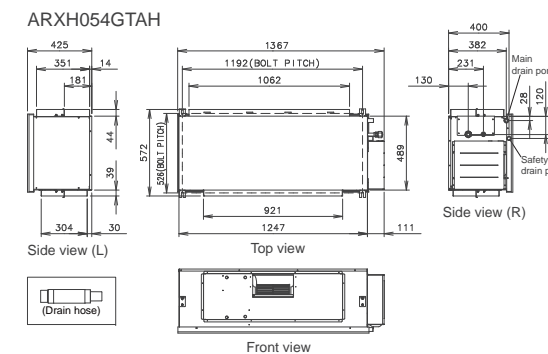
(Tentative)

Model name	ARXH054GTAH	ARXH072GTAH	ARXH096GTAH
Power Source	V/∅/Hz 230/1/50		
Capacity	Cooling	14.0	28.0
	Heating	8.9	17.4
Input Power	Cooling/Heating	179	292
		W	
Airflow Rate	m <sup>3</sup> /h 1,080 1,680 2,100		
Static Pressure	Standard (range)	Pa 185 (50-185)	200 (50-200)
Sound Pressure Level		dB (A) 42	44
Dimensions (H x W x D)	mm 425x1,367x572	425x1,367x572	450x1,583x700
Weight	kg 48	55	71
Connection Pipe Diameter (Small / Large)	mm ∅9.52/∅19.05	∅12.70/∅22.22	∅12.70/∅22.22
Operation Range	Cooling	5 to 43	5 to 43
	Heating	-7 to 21	-7 to 21
Refrigerant	R410A		

Note : Specifications are based on the following conditions. Cooling : Outdoor temperature of 33°CDB / 28°CWB. Heating : Outdoor temperature of 0°CDB / -2.9°CWB. Pipe length : 7.5 m Voltage : 230 [V].

Dimensions Models : ARXH054GTAH/ARXH072GTAH/ARXH096GTAH

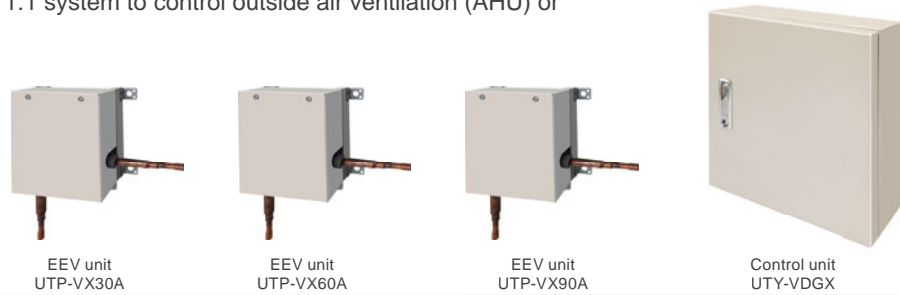
(Unit : mm)



**NEW** Control unit : UTY-VDGX

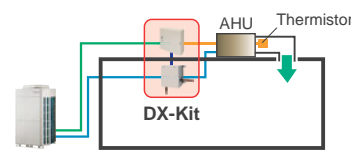
**NEW** EEV unit : UTP-VX30A / UTP-VX60A / UTP-VX90A

These kits enable other manufacturers air handling units (AHU) and fan coil units (FCU) to be incorporated into a Fujitsu VRF system or, be connected to a dedicated Fujitsu VRF outdoor unit as a 1:1 system to control outside air ventilation (AHU) or room temperature (FCU).

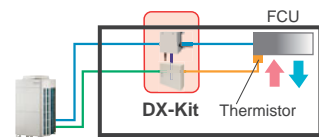


Features

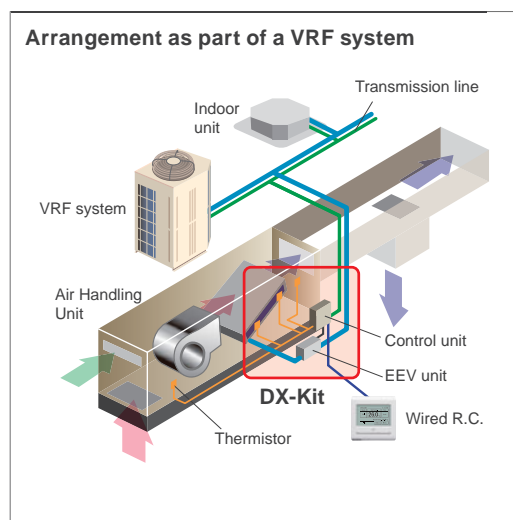
Multiple temperature sensors optimally control the air handling unit and fan coil unit.



When connecting to an air handling unit, the supply air temperature is controlled by the discharge sensor.

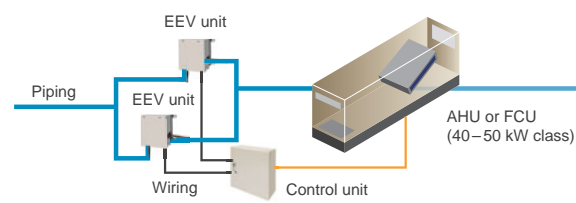


When connecting to a fan coil unit, the room temperature is controlled by the return air temperature sensor.



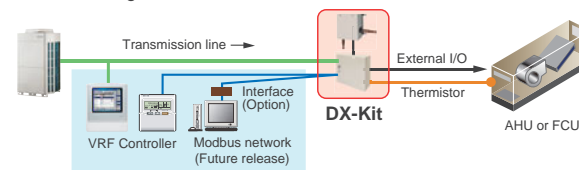
Supports a wide range of capacity classes

- 2 EEV units can be connected in parallel and up to 20 HP (50 kW) large capacity units. (Separation Tube of UTP-LX180A is required.)
- Connectable capacity range: 5 kW to 50 kW

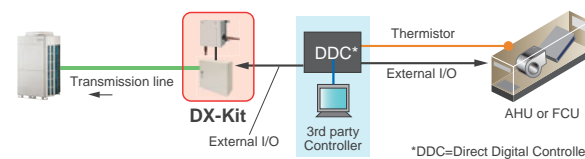


A variety of controls to match the application

- Central control using our VRF controllers or central management controllers



- Central control from external controllers



Features

Functions Summary

Inputs

- ON/OFF
- Setting temperature
- Capacity demand
- Heating / Cooling operation mode
- Fault information

Outputs

- ON/OFF indication
- Fan ON/OFF indication
- Thermo ON/OFF indication
- Defrost indication
- Fault indication

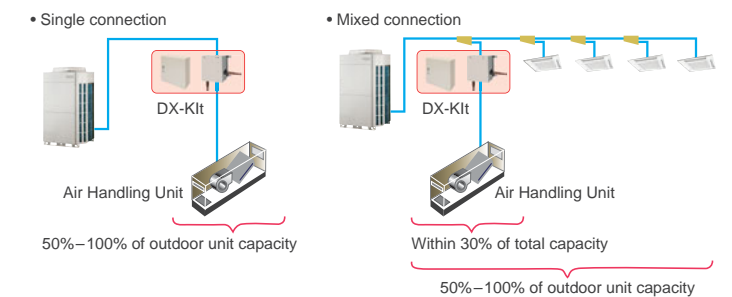
Modbus Control Future Release

- Possible to control via a Modbus enabled BMS by using optional interface.

Installation Limitation

- Connectable VRF series : J-IIS, J-II, V-II, VR-II
- Connectable DX-Kit system capacity range : 50 to 100% of the outdoor unit capacity
- Connectable DX-Kit system capacity range with indoor units : 30% or less of the outdoor unit capacity
- Max. wiring length from control unit : 10 m
- Max. piping length between EEV unit and indoor unit : 5 m
- Outdoor installation : Control unit (IP54 class) and EEV unit can be installed at an outdoor space.

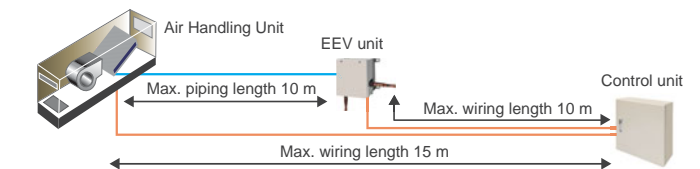
Connectable capacity



- [For 2EEV units connection (option)]
- Separation Tube : UTP-LX180A



Piping and wiring length



Specifications

Connectable Capacity class		5.0kW	6.3kW	8.0kW	10.0kW	12.5kW	14.0kW	20.0kW	25.0kW	40.0kW	50.0kW
Capacity	Cooling	5.6	6.3	8.0	10.0	12.5	14.0	22.4	25.0	40.0	50.4
	Heating	6.3	7.1	9.0	11.2	14.0	16.0	25.0	28.0	45.0	56.5
Control unit		UTY-VDGX									
Power source	V/∅/Hz	230 / 1 / 50									
Dimensions (H x W x D)	mm	400 x 400 x 120									
EEV unit		UTP-VX30A	UTP-VX60A	UTP-VX90A	UTP-VX90A×2						
Connection pipe diameter (Liquid)	mm	∅9.53	∅12.7	∅12.7	∅12.7						
Dimensions (H x W x D)	mm	160 x 220 x 90									

Note : Specifications are based on the following conditions.  
 Cooling : Indoor temperature of 27°CDB / 19°CWB, and outdoor temperature of 35°CDB / 24°CWB.  
 Heating : Indoor temperature of 20°CDB / (15°CWB), and outdoor temperature of 7°CDB / 6°CWB.  
 Pipe length : 7.5 m Voltage : 230 [V].