

FUJITSU



AIR CONDITIONERS

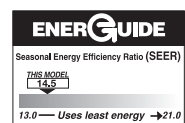
Features

- Outdoor air conditioner designed for ground level or rooftop installations. These units offer comfort and dependability for single, multi-family and light commercial applications.
- Painted louvered steel cabinet
- Easily accessible control box
- Condenser coils constructed with copper tubing and enhanced aluminum fins
- Grille/Motor mount for quiet fan operation
- Filter Drier (shipped – not installed)

WA14 SERIES

Nominal Sizes 1.5-5 Tons [5.28-17.6 kW]
14 SEER/11.5 EER

Manufactured for
Fujitsu General America, Inc.
Fairfield, NJ



"Proper sizing and installation of equipment is critical to achieve optimal performance. Split system air conditioners and heat pumps must be matched with appropriate coil components to meet Energy Star. Ask your Contractor for details or visit www.energystar.gov."

TABLE OF CONTENTS

Model Number Identification	3
Available SKUs	3
Electrical & Physical Data	4
Unit Dimensions	5
Refrigerant Line Size Information	6-7
Performance Data	8
Limited Warranty	9

Air Conditioners*

<u>W</u>	<u>A</u>	<u>13</u>	<u>24</u>	<u>A</u>	<u>J</u>	<u>1</u>	<u>N</u>	<u>A</u>	<u>*</u>
Brand	Product Category	SEER	Capacity BTU/HR	Major Series*	Voltage	Type	Controls	Minor Series**	Option Code
Fujitsu	A - Air Conditioners	13 - 13 SEER 14 - 14 SEER	18 - 18,000 [5.28 kW] 24 - 24,000 [7.03 kW] 30 - 30,000 [8.79 kW] 36 - 36,000 [10.55 kW] 42 - 42,000 [12.31 kW] 48 - 48,000 [14.07 kW] 60 - 60,000 [17.58 kW]	A - 1st Design B - 2nd Design C - 3rd Design	J - 1ph, 208-230/60 C - 3ph, 208-230/60 D - 3ph, 460/60	1 - Single-stage N - Non-Communicating		A - 1st Design	FGA

[J] Designates Metric Conversions

Available SKUs

Available Models
WA1418AJ1NAFGA
WA1424CJ1NAFGA
WA1430BJ1NAFGA
WA1436AJ1NAFGA
WA1436BJ1NAFGA
WA1442CJ1NAFGA
WA1448BJ1NAFGA
WA1460AJ1NAFGA

Electrical and Physical Data

Physical Data							
Model No.	WA1418A	WA1424C	WA1430B	WA1436B	WA1442C	WA1448B	WA1460A
Nominal Tonnage	1.5	2.0	2.5	3.0	3.5	4.0	5.0
Valve Connections							
Liquid Line O.D. – in.	3/8	3/8	3/8	3/8	3/8	3/8	3/8
Suction Line O.D. – in.	5/8	3/4	3/4	3/4	7/8	7/8	7/8
Refrigerant (R410A) furnished oz.¹	82	85	98	122	135	146	228
Compressor Type	Scroll						
Outdoor Coil							
Net face area – Outer Coil	11.1	13.7	13.7	18.3	18.3	21.9	21.9
Net face area – Inner Coil	—	—	—	—	—	—	—
Tube diameter – in.	0.375	3/8	3/8	3/8	3/8	3/8	3/8
Number of rows	1	1	1	1	1	1	2
Fins per inch	22	22	22	22	22	22	22
Outdoor Fan							
Diameter – in.	18	22	22	22	22	24	24
Number of blades	2	2	2	2	3	3	3
Motor hp	1/10	1/12	1/8	1/5	1/4	1/5	1/3
CFM	1697	2077	2121	2702	3174	3571	3360
RPM	1100	841	1075	819	1075	850	1085
watts	108	76	155	149	244	235	311
Shipping weight – lbs.	135	171	144.5	166	184	225	274
Operating weight – lbs.	128	164	137.5	159	176	205	254
Electrical Data							
Line Voltage Data (Volts-Phase-Hz)	208/230-1-60	208/230-1-60	208/230-1-60	208/230-1-60	208/230-1-60	208/230-1-60	208/230-1-60
Maximum overcurrent protection (amps)²	20	25	25	30	35	45	60
Minimum circuit ampacity³	13	15	17	19	23	26	35
Compressor							
Rated load amps	9.7	11.2	12.8	14.1	16.7	19.9	26.4
Locked rotor amps	46	60.8	64	77	109	109	134
Condenser Fan Motor							
Full load amps	0.5	.36	0.7	1.2	1.3	1	1.7
Locked rotor amps	1.3	1	1.2	2	2.5	2.3	3.2

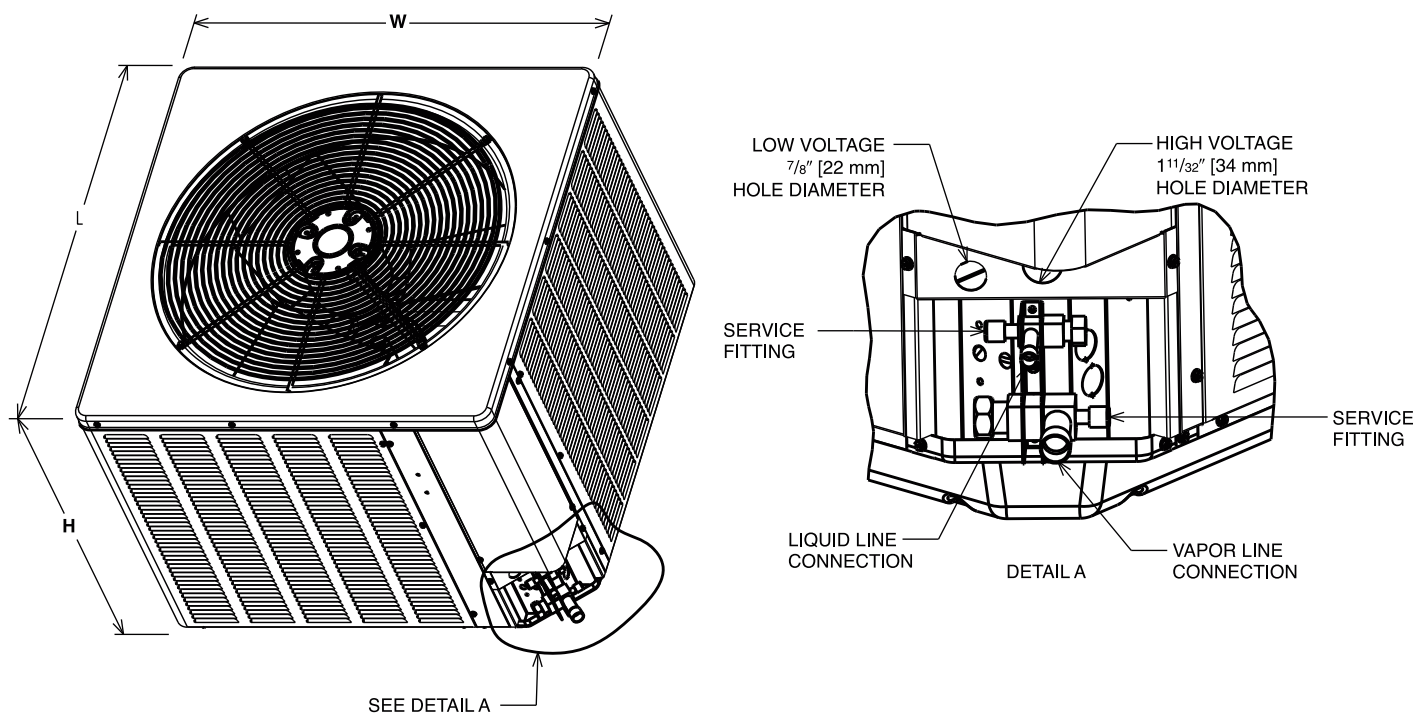
¹Refrigerant charge sufficient for 15 ft. length of refrigerant lines. For longer line set requirements see the installation instructions for information about set length and additional refrigerant charge required.

²HACR type circuit breaker or fuse.

³Refer to National Electrical Code manual to determine wire, fuse and disconnect size requirements.

Unit Dimensions

MODEL NUMBER	OPERATING						SHIPPING					
	H (Height)		L (Length)		W (Width)		H (Height)		L (Length)		W (Width)	
	INCHES	mm	INCHES	mm	INCHES	mm	INCHES	mm	INCHES	mm	INCHES	mm
WA1418A	24.25	615	23.63	600	23.63	600	24.25	615	24.75	628	24.75	628
WA1424C	24.25	615	27.63	701	27.63	701	24.25	615	28.75	730	28.75	730
WA1430B	24.25	615	27.63	701	27.63	701	24.25	615	28.75	730	28.75	730
WA1436B	32.25	819	27.63	701	27.63	701	32.50	825	28.75	730	28.75	730
WA1442C	32.25	819	27.63	701	27.63	701	32.50	825	28.75	730	28.75	730
WA1448B	35.38	899	31.63	803	31.63	803	35.56	903	33.94	862	33.94	862
WA1460A	35.38	899	31.63	803	31.63	803	35.56	903	33.94	862	33.94	862



NOTE: Illustrations show the deep drawn basepan.

Condensing Unit Refrigerant Line Size Information

Unit Size	Allowable Liquid Line Size	Allowable Suction Line Size	Apply Long Line Guidelines if Linear Line Length Exceeds Those Shown Below (Feet)		Equivalent Length (Feet)												
			WA13	WA14A/B	WA14W	Maximum Vertical Rise (Outdoor Unit Below Indoor Unit) * / Capacity Multiplier											
			< 25	26-50	51-75	76-100	101-125	126-150	151-175	176-200	201-225	226-250					
1.5 Ton **SEE NOTE 3	1/4"	5/8"	25/1.00	50/0.99	62/0.98	43/0.98	24/0.97	5/0.97	N/R	N/R	N/R	N/R	N/R	N/R	N/R	N/R	N/R
	5/16"	5/8"	25/1.00	50/0.99	75/0.98	98/0.98	93/0.97	88/0.97	83/0.96	78/0.96	73/0.95	68/0.94	100/0.94	100/0.94	100/0.94	100/0.94	100/0.94
	3/8"	5/8"	25/1.00	50/0.99	75/0.98	100/0.98	100/0.97	100/0.97	100/0.96	100/0.96	100/0.95	100/0.95	100/0.94	100/0.94	100/0.94	100/0.94	100/0.94
	1/4"	3/4**	N/R	50/1.00	62/0.99	43/0.99	24/0.99	5/0.99	N/R	N/R	N/R	N/R	N/R	N/R	N/R	N/R	N/R
	5/16"	3/4**	225	50/1.00	75/0.99	98/0.99	93/0.99	88/0.99	83/0.99	78/0.98	73/0.98	68/0.98	100/0.98	100/0.98	100/0.98	100/0.98	100/0.98
	3/8"	3/4**	150	50/1.00	75/1.00	100/0.99	100/0.99	100/0.99	100/0.99	100/0.99	100/0.99	100/0.99	100/0.99	100/0.99	100/0.99	100/0.99	100/0.99
2 Ton	1/4"	5/8"	25/0.99	50/0.98	21/0.97	87/0.96	77/0.95	69/0.94	61/0.93	53/0.92	45/0.91	37/0.90	100/0.90	100/0.90	100/0.90	100/0.90	100/0.90
	5/16"	5/8"	223	50/0.98	75/0.97	100/0.96	100/0.95	100/0.94	98/0.93	95/0.92	92/0.91	89/0.90	100/0.90	100/0.90	100/0.90	100/0.90	100/0.90
	3/8"	5/8"	148	50/0.98	75/0.97	100/0.96	100/0.95	100/0.94	100/0.93	100/0.92	100/0.91	99/0.90	100/0.90	100/0.90	100/0.90	100/0.90	100/0.90
	1/4"	3/4"	N/R	50/1.00	21/0.99	N/R	N/R	N/R	N/R	N/R	N/R	N/R	N/R	N/R	N/R	N/R	N/R
	5/16"	3/4"	223	50/1.00	75/0.99	87/0.99	77/0.98	69/0.98	61/0.98	53/0.97	45/0.97	37/0.96	100/0.96	100/0.96	100/0.96	100/0.96	100/0.96
	3/8"	3/4"	148	50/1.00	75/0.99	100/0.99	100/0.98	100/0.98	100/0.98	100/0.98	100/0.97	93/0.97	90/0.96	100/0.96	100/0.96	100/0.96	100/0.96
2.5 Ton	5/16"	5/8"	148	50/0.98	75/0.96	70/0.94	59/0.93	48/0.91	36/0.90	N/R	N/R	N/R	N/R	N/R	N/R	N/R	N/R
	3/8"	5/8"	98	50/0.98	75/0.96	100/0.94	98/0.93	94/0.91	90/0.90	N/R	N/R	N/R	N/R	N/R	N/R	N/R	N/R
	5/16"	3/4"	148	50/0.99	75/0.99	70/0.98	59/0.98	48/0.97	36/0.96	25/0.96	13/0.95	N/R	N/R	N/R	N/R	N/R	N/R
	3/8"	3/4"	98	50/0.99	75/0.99	100/0.98	98/0.98	94/0.97	90/0.96	86/0.96	82/0.95	78/0.95	74/0.95	70/0.95	66/0.95	62/0.95	58/0.95
	5/16"	5/8"	N/R	50/0.97	66/0.94	49/0.92	32/0.90	N/R	N/R	N/R	N/R	N/R	N/R	N/R	N/R	N/R	N/R
	3/8"	5/8"	110	50/0.97	75/0.94	95/0.92	89/0.90	N/R	N/R	N/R	N/R	N/R	N/R	N/R	N/R	N/R	N/R
3 Ton	5/16"	3/4"	88	50/0.99	66/0.98	49/0.98	32/0.97	15/0.96	N/R	N/R	N/R	N/R	N/R	N/R	N/R	N/R	N/R
	3/8"	3/4"	58	50/0.99	75/0.98	95/0.98	89/0.97	84/0.96	78/0.95	72/0.94	67/0.93	61/0.93	100/0.93	100/0.93	100/0.93	100/0.93	100/0.93
	1/2"	3/4"	55	50/0.99	75/0.98	100/0.98	100/0.97	100/0.97	100/0.96	100/0.95	100/0.94	100/0.93	100/0.93	100/0.93	100/0.93	100/0.93	100/0.93
	5/16"	7/8"	88	50/1.00	66/1.00	49/0.99	32/0.99	15/0.99	N/R	N/R	N/R	N/R	N/R	N/R	N/R	N/R	N/R
	3/8"	7/8"	110	50/1.00	75/1.00	95/0.99	89/0.99	84/0.99	78/0.98	72/0.98	67/0.98	61/0.97	100/0.97	100/0.97	100/0.97	100/0.97	100/0.97
	1/2"	7/8"	55	50/1.00	75/1.00	100/0.99	100/0.99	100/0.99	100/0.99	100/0.99	100/0.98	100/0.98	100/0.98	100/0.98	100/0.98	100/0.98	100/0.98
3.5 Ton	3/8"	3/4"	148	50/0.98	75/0.97	88/0.96	80/0.95	72/0.94	65/0.92	57/0.91	49/0.90	N/R	N/R	N/R	N/R	N/R	N/R
	1/2"	3/4"	74	50/0.98	75/0.97	100/0.96	100/0.95	100/0.94	100/0.92	100/0.91	100/0.90	N/R	N/R	N/R	N/R	N/R	N/R
	3/8"	7/8"	148	50/1.00	75/0.99	88/0.99	80/0.99	72/0.98	65/0.97	57/0.97	49/0.96	42/0.96	100/0.96	100/0.96	100/0.96	100/0.96	100/0.96
	1/2"	7/8"	74	50/1.00	75/0.99	100/0.99	100/0.99	100/0.99	100/0.98	100/0.97	100/0.97	100/0.96	100/0.96	100/0.96	100/0.96	100/0.96	100/0.96
	3/8"	3/4"	82	50/0.98	75/0.96	77/0.95	67/0.93	57/0.92	46/0.91	N/R	N/R	N/R	N/R	N/R	N/R	N/R	N/R
	1/2"	3/4"	41	50/0.98	75/0.96	100/0.95	100/0.93	100/0.92	100/0.91	N/R	N/R	N/R	N/R	N/R	N/R	N/R	N/R
4 Ton	3/8"	7/8"	82	50/0.99	75/0.99	77/0.98	67/0.97	57/0.97	46/0.96	36/0.96	26/0.95	15/0.95	100/0.95	100/0.95	100/0.95	100/0.95	100/0.95
	1/2"	7/8"	41	50/0.99	75/0.99	100/0.98	100/0.97	100/0.97	100/0.96	100/0.96	100/0.96	100/0.96	100/0.96	100/0.96	100/0.96	100/0.96	100/0.96
	3/8"	3/4"	0	50/0.97	75/0.94	61/0.92	46/0.90	N/R	N/R	N/R	N/R	N/R	N/R	N/R	N/R	N/R	N/R
	1/2"	3/4"	0	50/0.97	75/0.94	100/0.92	100/0.90	N/R	N/R	N/R	N/R	N/R	N/R	N/R	N/R	N/R	N/R
	3/8"	7/8"	0	50/0.99	75/0.98	61/0.97	46/0.96	32/0.95	18/0.94	N/R	N/R	N/R	N/R	N/R	N/R	N/R	N/R
	1/2"	7/8"	0	50/0.99	75/0.98	100/0.97	100/0.96	100/0.95	97/0.94	95/0.94	92/0.93	89/0.92	86/0.92	83/0.92	80/0.92	77/0.92	74/0.92
5 Ton	3/8"	1-1/8"	0	50/1.01	75/1.00	61/1.00	46/0.99	32/0.99	18/0.99	N/R	N/R	N/R	N/R	N/R	N/R	N/R	N/R
	1/2"	1-1/8"	0	50/1.01	75/1.00	100/1.00	100/0.99	100/0.99	100/0.99	100/0.99	100/0.99	100/0.99	100/0.99	100/0.99	100/0.99	100/0.99	100/0.99
	3/8"	3/4"	0	50/0.97	75/0.94	61/0.92	46/0.90	N/R	N/R	N/R	N/R	N/R	N/R	N/R	N/R	N/R	N/R
	1/2"	3/4"	0	50/0.97	75/0.94	100/0.92	100/0.90	N/R	N/R	N/R	N/R	N/R	N/R	N/R	N/R	N/R	N/R
	3/8"	7/8"	0	50/0.99	75/0.98	61/0.97	46/0.96	32/0.95	18/0.94	N/R	N/R	N/R	N/R	N/R	N/R	N/R	N/R
	1/2"	7/8"	0	50/0.99	75/0.98	100/0.97	100/0.96	100/0.95	97/0.94	95/0.94	92/0.93	89/0.92	86/0.92	83/0.92	80/0.92	77/0.92	74/0.92

NOTES:

- Do not exceed 200 ft linear line length.
- *Do not exceed 100 ft vertical separation if outdoor unit is above indoor unit.
- **3/4" suction line should only be used for 1.5 ton systems if outdoor unit is below or at same level as indoor to assure proper oil return.
- Always use the smallest liquid line allowable to minimize refrigerant charge.
- Applications shaded in light gray indicate capacity multipliers between 0.90 and 0.96 which are not recommended, but are allowed.
- Applications shaded in dark gray are not recommended due to excessive liquid or suction pressure drop.

Performance Data @ AHRI Standard Conditions—Cooling

Note: Ratings contained in this document are subject to change. For up-to-date and expanded ratings, please visit the AHRI web site (www.ahridirectory.org).

Designated Tested Combination (DTC)							
Outdoor Unit	Indoor Coil or Air Handler	Total Capacity BTU/H [kW]	Net Sensible BTU/H [kW]	Net Latent BTU/H [kW]	SEER	EER	Indoor CFM [L/s]
WA1418AJ1	FCC2417TSA	17100 [5.0]	13300 [3.9]	4700 [1.4]	14.00	11.50	600 [283.2]
WA1424C	FCC2417TMA	22800 [6.7]	16200 [4.7]	6600 [1.9]	14.00	11.50	800 [377.6]
WA1430BJ1	FCC3617TSA	28600 [8.4]	21700 [6.4]	6900 [2.0]	14.00	11.50	1000 [471.9]
WA1436BJ1	FCC3621TMA	34200 [10.0]	24500 [7.2]	9700 [2.8]	14.00	11.50	1100 [519.1]
WA1442C	FCC4821TMA	40500 [11.9]	31000 [9.1]	9500 [2.8]	14.00	11.50	1350 [637.1]
WA1448BJ1	FCC4821TSA	46000 [13.5]	34800 [10.2]	11200 [3.3]	14.00	11.50	1500 [707.9]

[] Designates Metric Conversions

GENERAL TERMS OF LIMITED WARRANTY*

Fujitsu General America, Inc. will furnish a replacement for any part of this product which fails in normal use and service within the applicable period stated, in accordance with the terms of the limited warranty.

Parts.....Five (5) Years

***For complete details of the Limited and Conditional Warranties, including applicable terms and conditions, contact your local contractor or the Manufacturer for a copy of the product warranty certificate.**

Before proceeding with installation, refer to installation instructions packaged with each model, as well as complying with all Federal, State, Provincial, and Local codes, regulations, and practices.

"In keeping with its policy of continuous progress and product improvement, the right is reserved to make changes without notice."